

Sink S1000

Tank on the left

Kitchen Sinks

Code: 1144 002



DETAILS

Edge/Installation Type Standard (8 mm Edge)

Finish Foster brushed

Material AISI 304 stainless steel

Texture Foster brushed

Base 45 cm

Dimensions 440x500 mm

Standard fittings Fixing hooks, gasket, drain, overflow and siphon, boxed packing

Mixer holes 1 standard hole - 2nd hole on request

Built-in hole 420x480 mm

Drainer No

Width 44 cm

Bowl dimension 360x360mm

Number of bowls 1 bowl

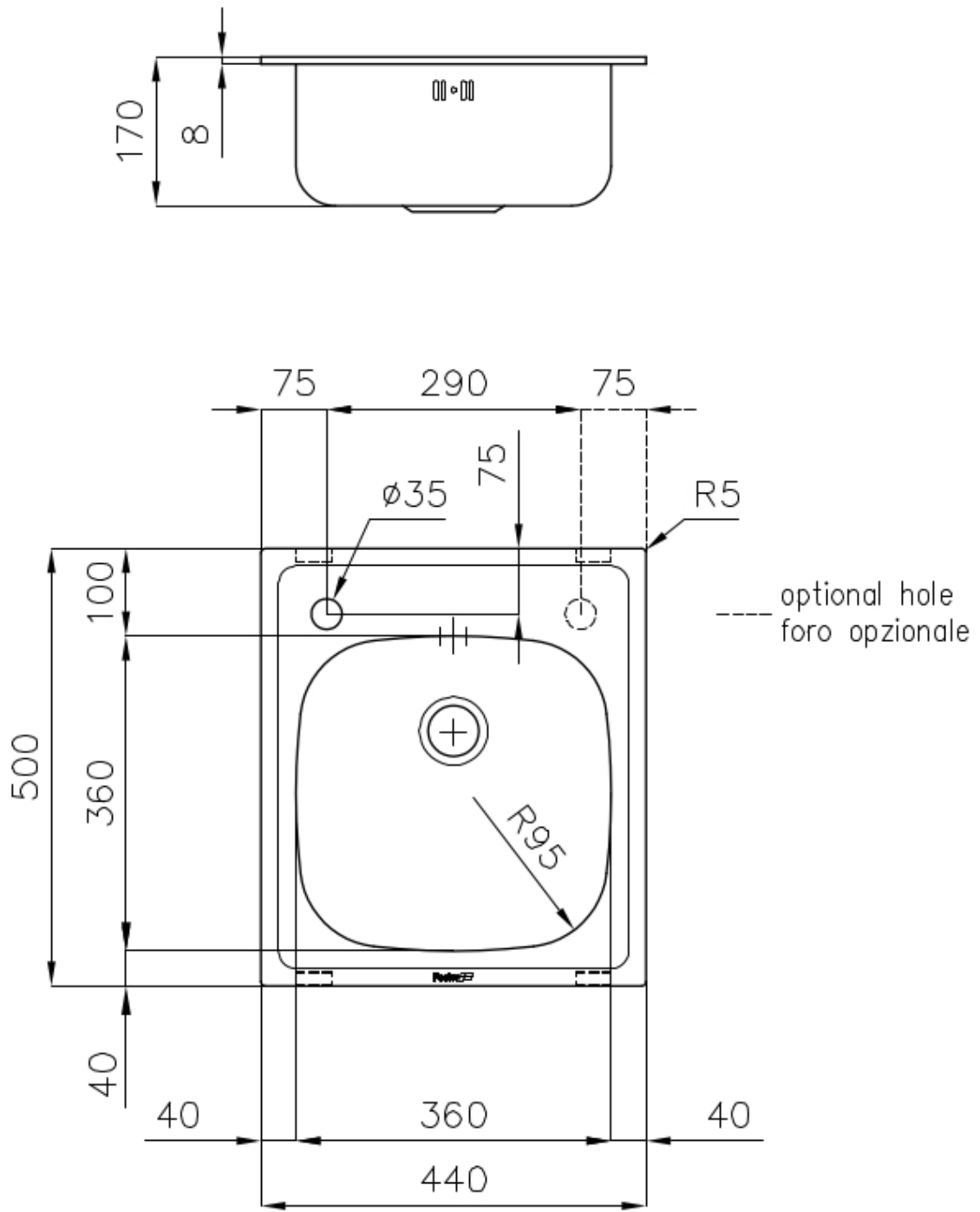
Waste fitting 2" Drain

FEATURES

Added value Foster uses steel thicknesses higher than those used on average by other manufacturers. This is how, thanks to our long experience, we know how to make sinks of superior quality and with a better resistance to aging.

Basket 3,5" waste fitting The drain is equipped with a large 3.5" drain, with the practical basket cap that prevents the discharge of solid parts.

TECHNICAL DATA



RECOMMENDED PAIRINGS



Mixer Tap Lorenzo
8466 000



Mixer Tap S1000 - RO
8443 002